
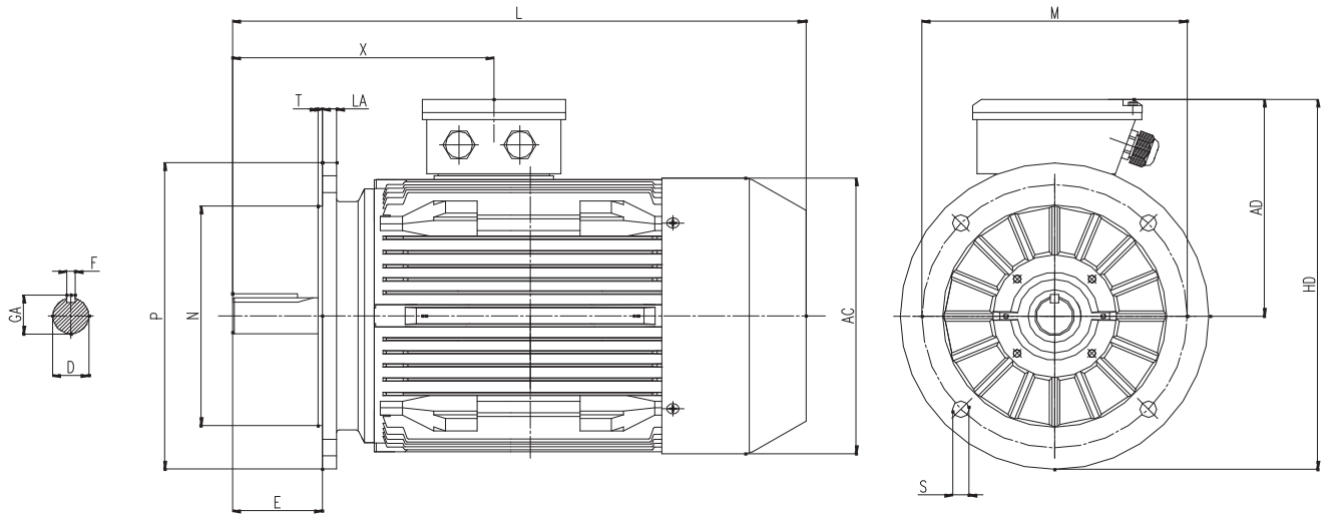


Customized motor 

Motor data sheet

Motor type: T3A 112M1-2 Supply: GRID Efficiency: IE3

IEC 60034-1, IEC 60034-30



Overall dimensions

A		AA	
AB		AC	220.0
AD	179.0	B	
BB		C	
CA		H	
HA		HC	
HD	304.0	K	
L	405.0	LC	
X	148.0	W	
E	60.0	LA	12.0
D	28	F	8.0
DB		GA	31.0
DA		EA	
FA		GC	
DC		M	215.0
N	180	T	4.0
S	15	P	250.0
O			

ELECTRO ADDA S.p.A. Via Nazionale, 8 - 23883 Beverate di Brivio (LC) Tel: +39 (0) 39/53.20.621

Fax: +39 (0) 39/53.21.335 configuratorv3.electroadda.com

Unità locale di Modena Via S. Anna, 640 - 41122 Modena (MO) Tel: +39 (0) 59/45.21.32 Fax: +39 (0) 59/45.21.58

Customized motor

Motor data sheet

Definition	Data	Unit	Remarks
Product code	T3A 112M1-2		
Catalogue	SERIE TA		
Efficiency class	IE3		
Rated Output	4.00	kW	
Rated voltage	400	V	
Number Poles	2		
Rated Frequency	50	Hz	
Rated Speed	2920	r/min	
Rated current	7.29	A	
Nominal torque	13.13	Nm	
Maximum torque	3.90	p.u.	
Starting torque	3.40	p.u.	
Starting current	10.50	p.u.	
Height	112M		
Efficiency full load 100%	88,1	%	
Efficiency 75%	N.A	%	
Efficiency 50%	N.A	%	
Power factor - full load 100%	0.90	%	
Frame	Aluminium		
Sound pressure level	77.00	dB[A]	
Moment of inertia J	0.007510	kg-m ²	
Weight	28.50	kg	B3 Standard
DE Bearing			
NDE Bearing			

Technical data, dimensions, as well as any other data in this catalogue are not binding.
Electro Adda reserves the right to change them at any time without giving any previous notice.

* Please contact Electro Adda for all the selections made on request.

ELECTRO ADDA S.p.A. Via Nazionale, 8 - 23883 Beverate di Brivio (LC) Tel: +39 (0) 39/53.20.621

Fax: +39 (0) 39/53.21.335 configuratorv3.electroadda.com

Unità locale di Modena Via S. Anna, 640 - 41122 Modena (MO) Tel: +39 (0) 59/45.21.32 Fax: +39 (0) 59/45.21.58

Customized motor

Motor data sheet

First customizable features

Features	value
Terminal box location	Top
Mounting	B5
Degree of protection	IP55
Type cooling	IC 411
Speed sensor	No
Stator thermal protection	No
Fan Material	Plastic
Cable glands	Yes
Bearing for high radial load	No
Insulation class	No
Coating	No
Drain	No
Additional compliance	No
Balancing degree	No
Space heater	No

Second customizable features

Features	value
Ambient temperature	-15-+40°C
Altitude	1000
Impregnation	No
Double shaft	No
Special shaft	No
Regreasing	No
Shaft material	No
Insulated bearing	No
Load profile	No
Rain cover	No
Auxiliary terminal box	No
Shaft brush	No
Starting	DOL
Color	RAL 7030

Additional remarks

ELECTRO ADDA S.p.A. Via Nazionale, 8 - 23883 Beverate di Brivio (LC) Tel: +39 (0) 39/53.20.621

Fax: +39 (0) 39/53.21.335 configuratorv3.electroadda.com

Unità locale di Modena Via S. Anna, 640 - 41122 Modena (MO) Tel: +39 (0) 59/45.21.32 Fax: +39 (0) 59/45.21.58